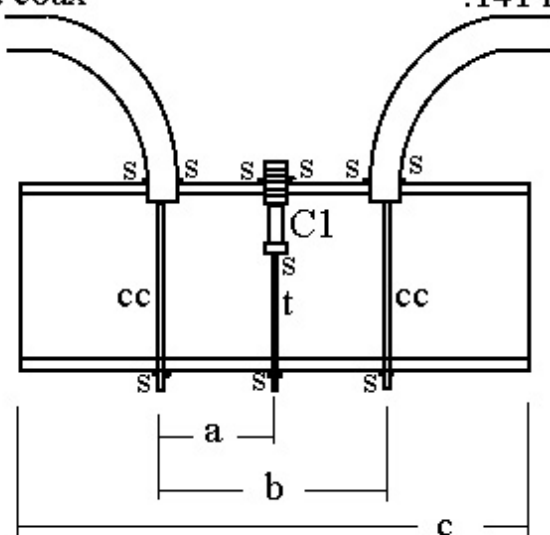


2208 MHz Evanescent Filter

.141 rigid coax

.141 rigid coax



5/8 " i.d. x .014"
brass hobby tubing
(open ended)

$a = 0.36$ "

$b = 0.72$ "

$c = 2.25$ " (not critical)

C1 = Johanson # 8052
1-10 pF variable

s = solder

t = 3/32 x .014 brass hobby tubing

cc = coax center conductor