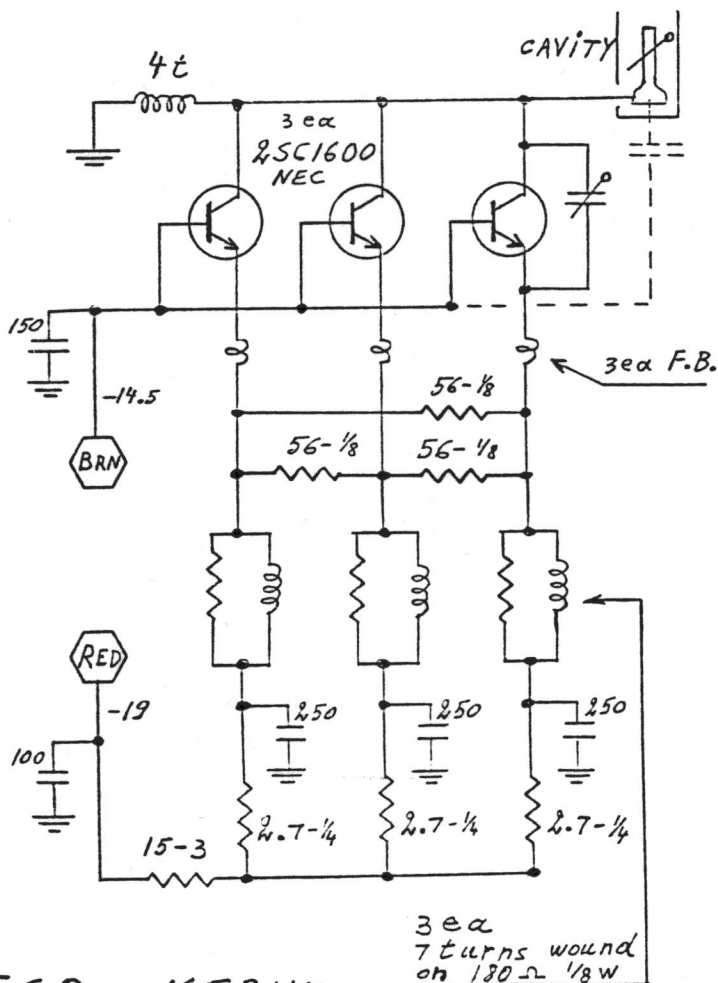
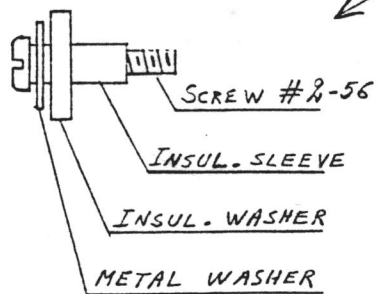


FERRITE BEAD ON EACH EMITTER LEAD



FREQUENCY WEST INC.
CAVITY OSCILLATOR

N5G0 N5BHX

3 ea
7 turns wound
on 180-ohm 1/8W